

TELEPHONES LE LAS (FRANCE Head Office)

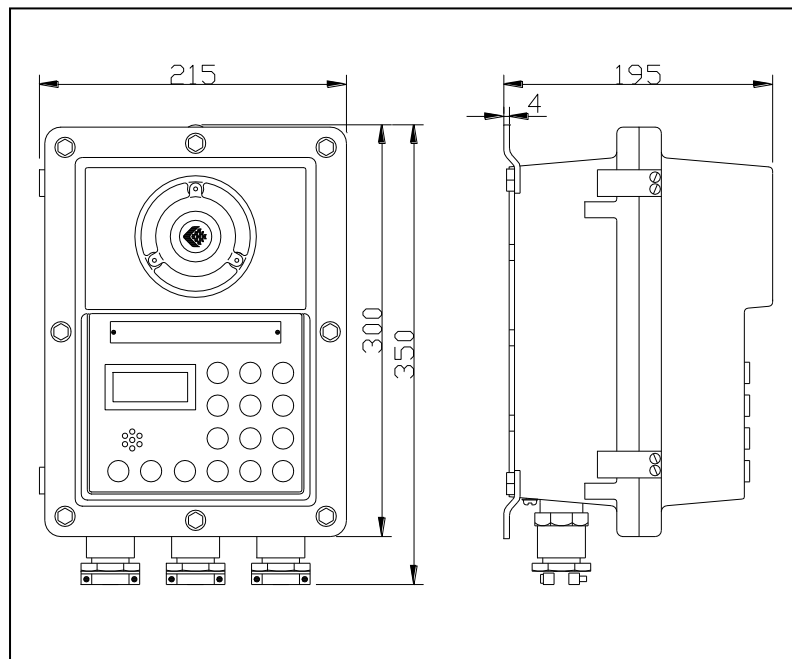
Tel:0033 1 48766262

E-mail: lelas@lelas.fr

Fax:0033 1 48768304

Web-site:www.lelas.fr

All screws are stainless-steel only



Explosion-proof Eex 'd' & IP65/66 telephone
for wall mounting, aluminium light-alloy
body P/N 214A1

Electrical Characteristics:

Direct current supply:	12 to 60 Vdc
Consumption:	< 40mA
Ringing voltage:	35 – 80 Vac
Dialing:	DTMF/pulse
Flashing/earth:	adjustable
Electronic Bell:	80dB at 1 m.
Hook:	Automatic for hands free version magnetic for handset type version
Noise cancelling:	noise cancelling circuit
Other characteristics:	CCITT Q23

Functions:

Keypad:	16 keys (*, #, 0,1...9)
BIS button:	Last number redial
R button:	Flash/Earth

Programming:

Microprocessor controlled, the TLS214 is 100% programmable via remote telephone, through DTMF tones.

Body material / Color:Aluminum Light-alloy /
RAL2003 Handset material / color:
Polyster carbon / Black(option for handset version)
Handset cord:
stainless steel (INOX) 200kg resistance(option for handset version)
Mounting:on wall
Termination:Inside screw connections
Dimensions: 215 X 350 X 195 mm
Weight:9,0 kg
IP-rating:65 or 66
EEx protection:Eex 'd' .ATEX II2GD (EEx d IIB +T6)
Max. / min. amb. Temp:-50 °C / + 60° C
Cables inlets:(1 ATEX cable gland for cable ϕ 5 – 8 mm)
Opening:8 screws on front panel for easy access
Maintenance:

all circuits and control devices are fixed on the easy removable front plate for a very quick substitution of equipment in field

Available Versions:

TLS214A1CL : Hands free type with display and keypad
TLS214A1S : Hands free type with 1 call button + 8° memories
TLS214A1S/P: Hands free type with VoIP SIP POE, 1 call button

Installation, Operation and Maintenance Procedures

This equipment is EEx and it must be installed by skilled personnel

- Open the front pivoting front part unscrewing the 4 screws
- Pass the cables through the cableglans being sure that the cable fit with the rubber gasket
- Connect the telephone line wires at the screw terminals (see operator's book)
- Close the front panel and fix the 8 screws (following the rules for classified areas)



This equipment is supplied with a 2 years warranty against defective workmanship

TELEPHONES LE LAS reserves the right to alter specifications without notice.