

UNIVERSAL SYSTEM INTERCOM STATION 15 / 25W BUILT -IN SPEAKER WALL MOUNTED TLH344E

TELEPHONES LE LAS (FRANCE Head Office)

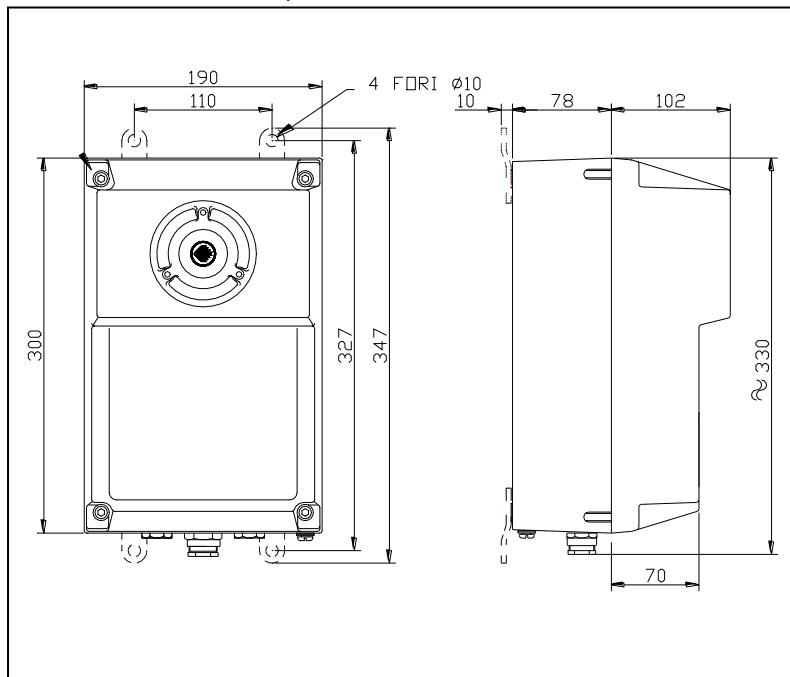
Tel:0033 1 48766262

E-mail: lelas@lelas.fr

Fax:0033 1 48768304

Web-site:www.lelas.fr

All screws are stainless-steel only



Universal Master/Slave station for outdoor use
With Keypad or 1 call button.
Weather-proof IP66 and IK9
for wall mounting, aluminium light-alloy body
P/N TLH -344E

Electrical Characteristics:

power-supply: 48-24 Vdc or 110/ 230 Vac
consumption:
Without External Speaker 0.5A / 48Vdc
With External Speaker Work with Built-in
Amplified Speaker
Built – in Amplifier: 15/25 Watt RMS $\pm 16\Omega$
Auxiliary output: 0dB - 600 Ω
Acoustic unit: ≥ 110 dB at 1 m

Material Characteristics:

Material / Color: Aluminum Light-alloy / RAL2003
Mounting: on wall
Termination: Inside screw connections
Dimensions: 190 X 300 X 182 mm
Weight: 7,2 kg
IP-rating: 66
Max. / min. Work Temp: -55 °C / + 70 °C
Cables inlets: 3 holes with 2 cable glands
for cable ϕ 5 – 8 mm + 1 plug

Available Versions:

TLH344EG3	Master Station with keypad, for Unisersal system Max 10 stations
TLH344EG3CA8	Master Station with keypad, for Unisersal system Max 100 stations, 110V to 230V Power
TLH344E1G	Slave Station with 1 call button
TLH344E1GC	Slave Station with 1 call button, for 'Conference' Paging system only
TLH344E1GCA8	Slave Station with 1 call button, power supply 230VAC



Installation, Operation and Maintenance Procedures

- This is a IP66 equipment: it should be installed by skilled personnel only
 - Open the pivoting front panel removing the 4 screws
 - Pass the cables through the cableglands being sure that the cable fit with the rubber gasket.
 - Connect the net cable and the power-supply 48Vdc (Or 230 Vac as an option) at the screw terminals
 - Adjust the output trimmer and select the proper tone combination (see owner's manual)
 - Close the front panel and fix the 4 screws, checking the presence and state of the gasket
- For optimum performance, always use the correct voltage 48V

